

Instruction for Use

These are the instructions for product use. Please read and follow the guidance of the instructions for proper use and maintenance of your furniture so as to maintain their sound condition after many years of use. Dos and don'ts in furniture use:

Dos and Don'ts in Material Clean

X	X	X
Do not use petroleum or other chemicals to clean the chair.	Do not use excessive force to clean the chair.	Do not use excessive force to clean the chair.

Dos and Don'ts in Use

X	X	X	X
For safety sake, non-performers shall not disassemble the parts by themselves.	In order to avoid polluting the fabric, please do not eat or drink on the chair.	In order to avoid deformation, the chair is not allowed to be used for long time.	The chair should be placed on a flat and level ground. Do not place it on uneven ground.

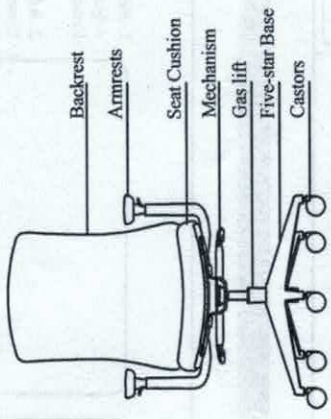
Safety Precautions

X	X	X	X	X	X
Do not use the chair as a step or platform.	Do not use the chair as a step or platform.	Do not use the chair as a step or platform.	Do not use the chair as a step or platform.	Do not use the chair as a step or platform.	Do not use the chair as a step or platform.

Assembly Instruction

- Please decide the location of your furniture before installation to avoid moving them in a large scale after it is completely installed.
- Do not place your furniture in dark and damp or hot and dry environment.
- Please check the number of packaging bags, view the product installation manual and verify the product structure.
- Please check the direction of each part when unpacking them before installation.
- Please install the product patiently. Make sure that each part is in the right position. Furniture is easy to assemble, but it takes patience and carefulness to do a meticulous job.
- Please check the stability of the furniture after installation. Shake your furniture gently to confirm whether it is level with the ground or whether the screw is tight.
- Please keep the furniture unoccupied for a period of time. Open the cabinet and drawer to release residual painting odor.

Thank you for choosing Sunon products. Please read the instruction carefully before using.



Product Information

Item No.: CBF62SW CBF63SW
 Product Name: Office Chair
 Dimension: 655W*605D*1000H
 Seat Height: 430mm
 Material: High-quality Wood, Electroplated Chrome Alloy/Steel Cube/Painted Wood, High-density Moulded Foam/Cutted Foam.
 Standard: QB/T2280-2016 Office Furniture Office Chair

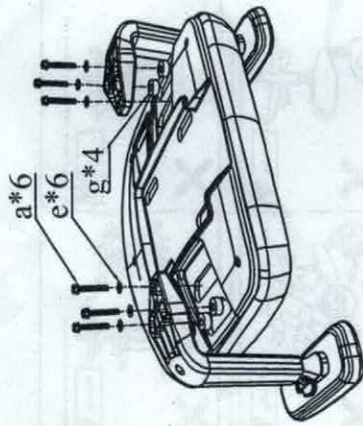
The product is suitable for office and decoration purpose; please use this product indoor.
 If your product has been updated, please leave the old version to the qualified recycling company or enterprises involved in recycling business.

Zhejiang Sunon Furniture Manufacture Co., Ltd
 Customer Service Hotline: 4008-600-666
 Website: www.sunon-china.com
 Headquarters Address: Sunon Central Business Building, No. 200 Citizen Street, Qianjiang CBD, Hangzhou, Zhejiang

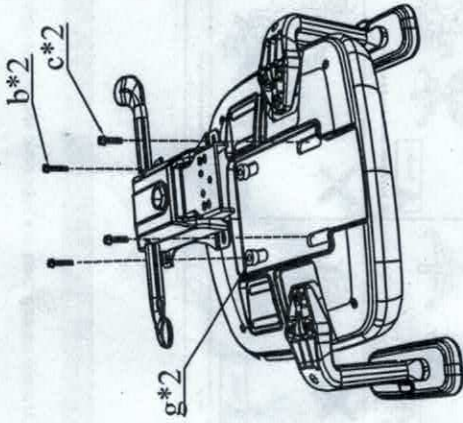
Manufacturing Base Address: 35th, Ningdong Road, Xiaoshan Economic and Technological Development Zone, Hangzhou, Zhejiang
 Manufacturing Base Address: 6th Auren Road, Jianshan Haining Economic Development Zone, Zhejiang

Materials

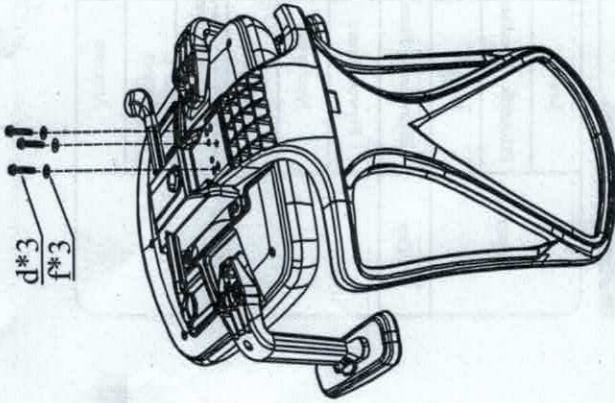
Material	Leather	High quality leather with good performance of glossiness, permeability and toughness.
	PU/Artificial Leather	High quality material with various colors available for choice.
Filler	Fabric	Fire-proof and antifouling fabric of high quality.
	High-density Foam	Comfortable and elastic.
Fittings	Plywood board	High quality poplar wood.
	Mechanism	Have passed American ANSI/BIFMA X5.1-2017 test
	Gas lift	
	Five-star Base	
	Castors	Have passed American ANSI/BIFMA X5.1-2017 test
	Armrests	



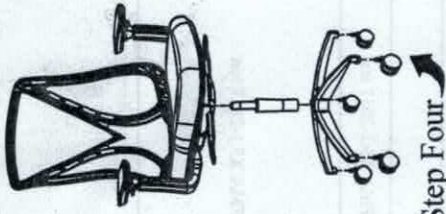
Step One



Step Two



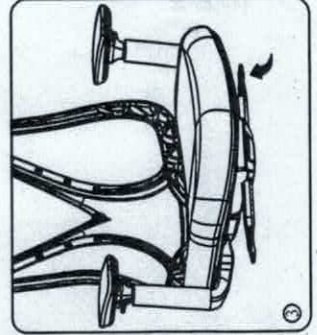
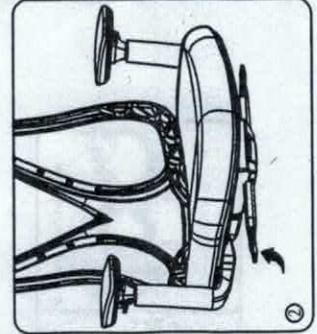
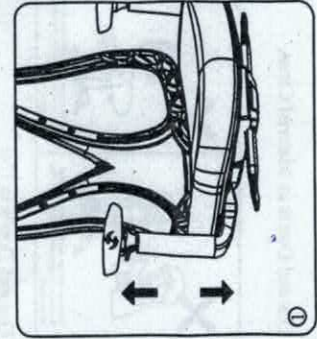
Step Three



Step Four

Fittings	
a	Allen Screw 1/4" x 7/16" 8PCS
b	Allen Screw 1/4" x 5/16" 2PCS
c	Allen Screw 1/4" x 5/16" 2PCS
d	Allen Screw M3 x 35 3PCS
e	Washer Ø6.5 x 16 x 1 8PCS
f	Washer Ø9 3PCS
g	Thick Washer Ø25 x 10mm 8PCS
h	Allen Wrench (with round head) 5mm 1PCS

Functional Specification



- 1. Height adjustment and swivel of armrest**
Adjust upward the armrest for a comfortable position;
Rotate the armrest for a comfortable position;
- 2. Adjustment of Seat Height**
Upward: Get up and pull the lever to lift the seat to the appropriate height.
Downward: Press down and pull the controlling handle to lower the seat to the appropriate height.
- 3. Tilting Mechanism of Backrest**
The backrest can move along with your spine and pelvis, and provide your back with best support. The backrest can be locked to 4 positions by adjusting the lever below the seat.